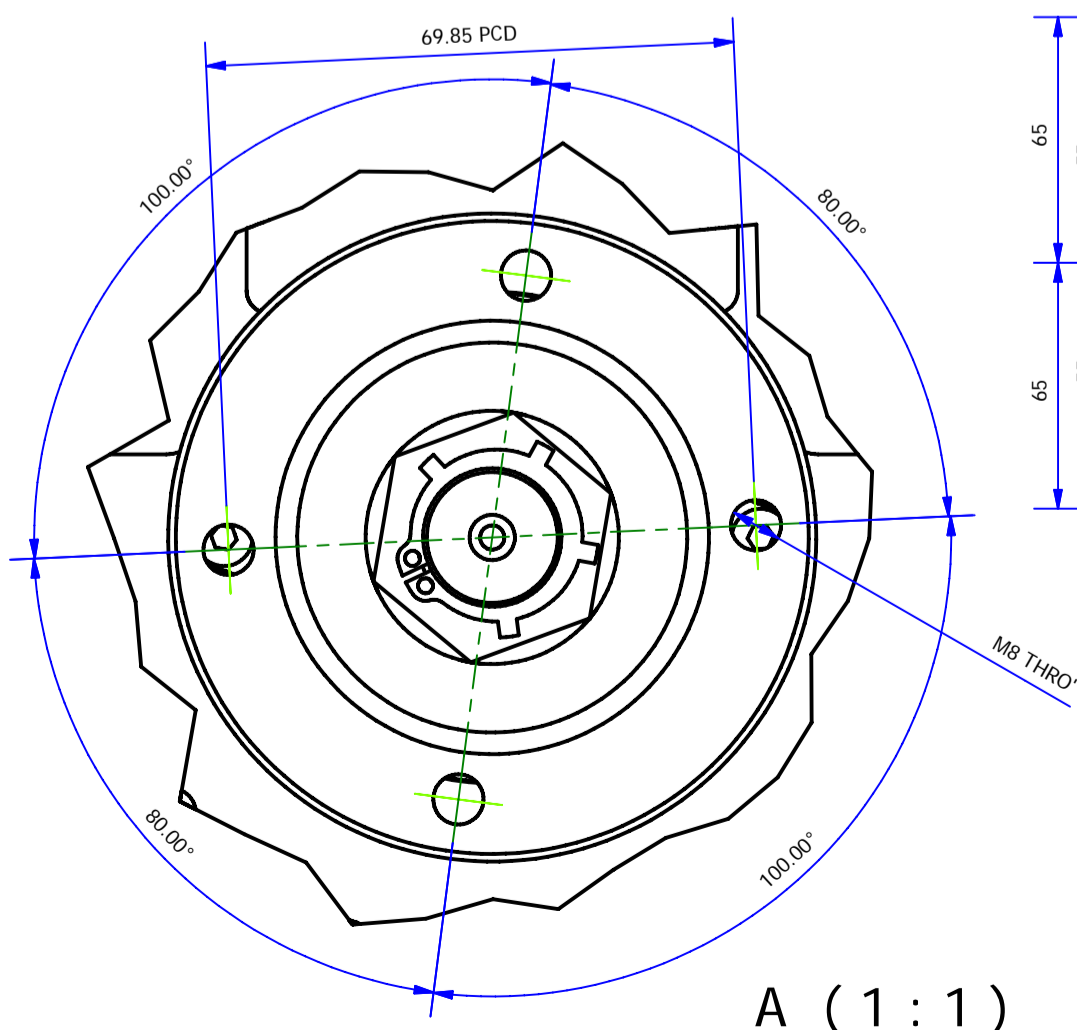
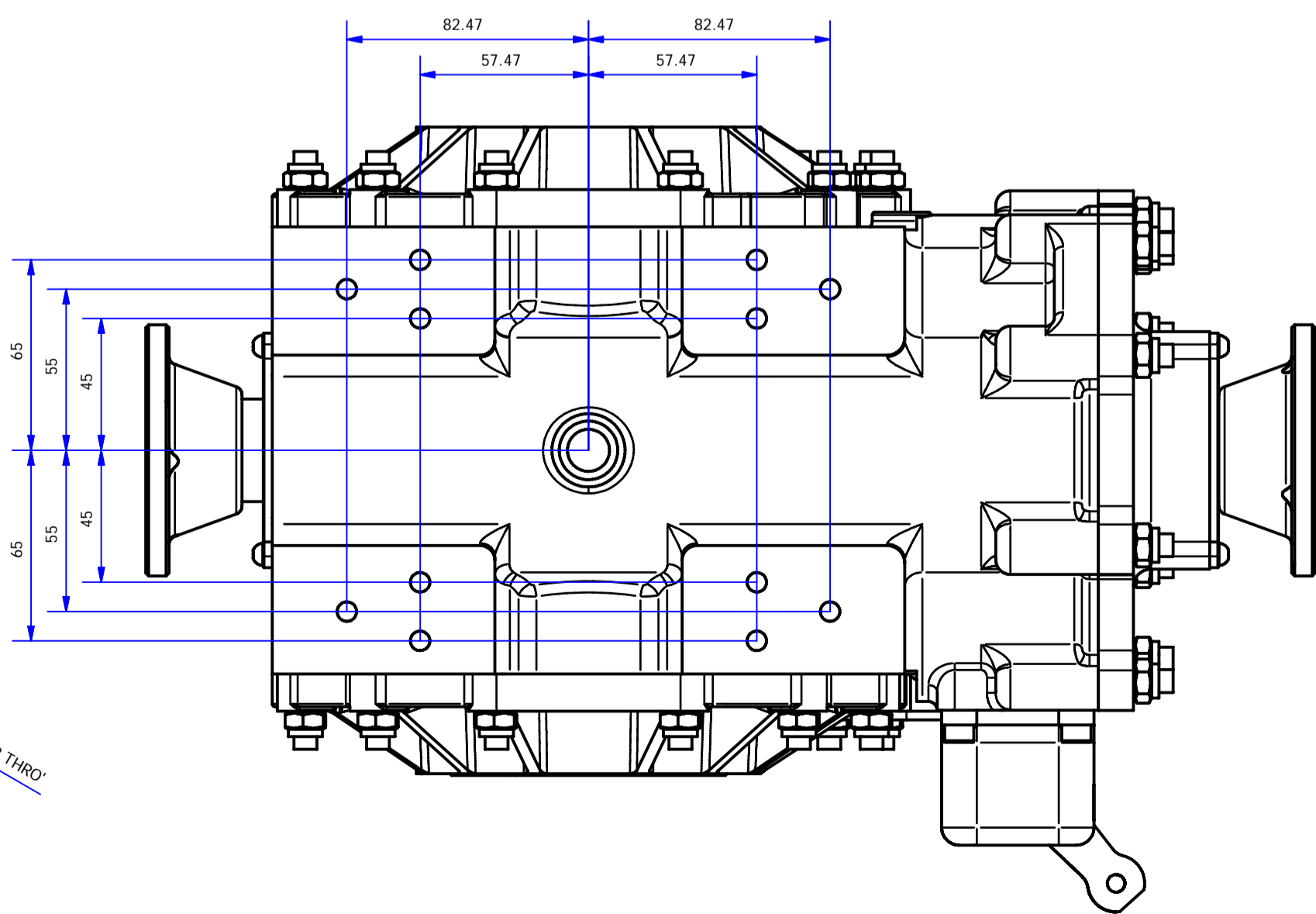


PREFERRED DRIVE FLANGE



A (1:1)

INSTALLATION DRAWING

3.2 ALL OVER U.O.S.	ALL UNSPECIFIED CHAMFERS TO BE 1x45°	DETAILED	LM
	ALL UNSPECIFIED RADII TO BE R1	DRAWN	LM
		APPROVED	
		DATE	14/12/2005
UNLESS OTHERWISE STATED	MATERIAL	 Gearworks, Salem St., Etruria, Stoke On Trent, ST1 5PR. Tel 01782 280136, Fax 01782 269913, Email contact@eliteracingtransmissions.com.	
TOLERANCES	SURFACE HARDNESS		
ANGULAR = +/- 0° 00' 0"	MIN Rc		
DIMENSIONS = +/- 0.1MM = +/- 0.004"	MAX Rc	TITLE	MX-200 ASSEMBLY
SURFACE FINISH IN Um 3.2	CORE STRENGTH	N/SQ.mm.	
REMOVE ALL SHARP EDGES AND BURRS	DO NOT SCALE	DRG. No.	ERT91555
		ISSUE	1