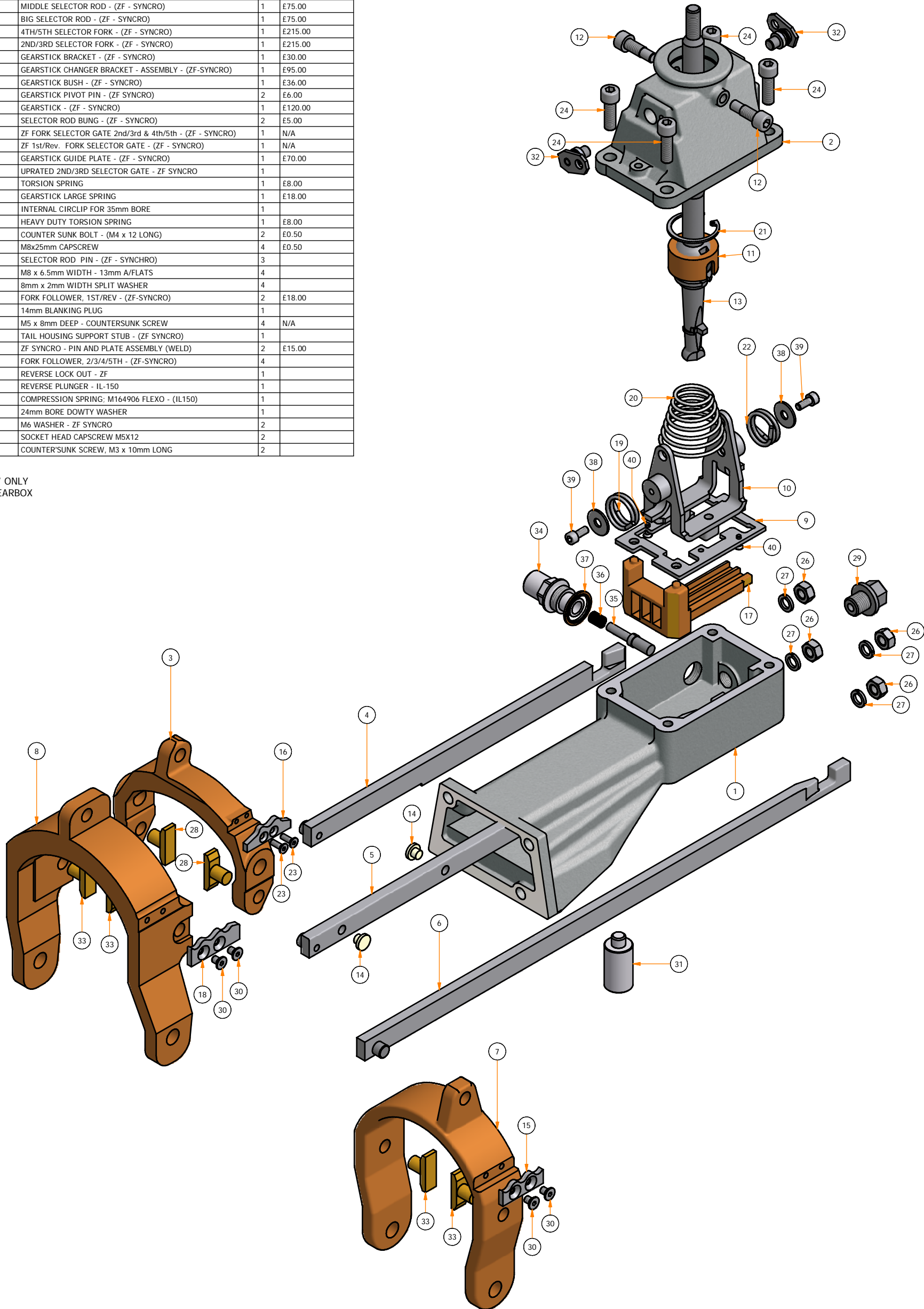



Parts List				
ITEM	PART NUMBER	TITLE	QTY	COST CENTER
1	ERT12179	SELECTOR ROD HOUSING - (ZF - SYNCRO)	1	E180.00
2	ERT12275	GEARSTICK HOLDER	1	E160.00
3	ERT41751	1ST/REVERSE SELECTOR FORK - (ZF - SYNCRO)	1	E170.00
4	ERT42010	SMALL SELECTOR ROD - (ZF - SYNCRO)	1	E75.00
5	ERT42011	MIDDLE SELECTOR ROD - (ZF - SYNCRO)	1	E75.00
6	ERT42012	BIG SELECTOR ROD - (ZF - SYNCRO)	1	E75.00
7	ERT42177	4TH/5TH SELECTOR FORK - (ZF - SYNCRO)	1	E215.00
8	ERT42193	2ND/3RD SELECTOR FORK - (ZF - SYNCRO)	1	E215.00
9	ERT42259	GEARSTICK BRACKET - (ZF - SYNCRO)	1	E30.00
10	ERT42263	GEARSTICK CHANGER BRACKET - ASSEMBLY - (ZF-SYNCRO)	1	E95.00
11	ERT42276	GEARSTICK BUSH - (ZF - SYNCRO)	1	E36.00
12	ERT42278	GEARSTICK PIVOT PIN - (ZF SYNCRO)	2	E6.00
13	ERT42284	GEARSTICK - (ZF - SYNCRO)	1	E120.00
14	ERT42288	SELECTOR ROD BUNG - (ZF - SYNCRO)	2	E5.00
15	ERT42534	ZF FORK SELECTOR GATE 2nd/3rd & 4th/5th - (ZF - SYNCRO)	1	N/A
16	ERT43001	ZF 1st/Rev. FORK SELECTOR GATE - (ZF - SYNCRO)	1	N/A
17	ERT44258	GEARSTICK GUIDE PLATE - (ZF - SYNCRO)	1	E70.00
18	ERT45421	UPRATED 2ND/3RD SELECTOR GATE - ZF SYNCRO	1	
19	ERT62282	TORSION SPRING	1	E8.00
20	ERT62283	GEARSTICK LARGE SPRING	1	E18.00
21	ERT65494	INTERNAL CIRCLIP FOR 35mm BORE	1	
22	ERT65495	HEAVY DUTY TORSION SPRING	1	E8.00
23	ERT81220	COUNTER SUNK BOLT - (M4 x 12 LONG)	2	E0.50
24	ERT81584	M8x25mm CAPSCREW	4	E0.50
25	ERT81971	SELECTOR ROD PIN - (ZF - SYNCHRO)	3	
26	ERT82982	M8 x 6.5mm WIDTH - 13mm A/FLATS	4	
27	ERT82983	8mm x 2mm WIDTH SPLIT WASHER	4	
28	ERT82987	FORK FOLLOWER, 1ST/REV - (ZF-SYNCRO)	2	E18.00
29	ERT82994	14mm BLANKING PLUG	1	
30	ERT83027	M5 x 8mm DEEP - COUNTERSUNK SCREW	4	N/A
31	ERT85255	TAIL HOUSING SUPPORT STUB - (ZF SYNCRO)	1	
32	ERT94972	ZF SYNCRO - PIN AND PLATE ASSEMBLY (WELD)	2	E15.00
33	ERT85572	FORK FOLLOWER, 2/3/4/5TH - (ZF-SYNCRO)	4	
34	ERT46839	REVERSE LOCK OUT - ZF	1	
35	ERT40045	REVERSE PLUNGER - IL-150	1	
36	ERT84016	COMPRESSION SPRING; M164906 FLEXO - (IL150)	1	
37	ERT66840	24mm BORE DOWTY WASHER	1	
38	ERT86949	M6 WASHER - ZF SYNCRO	2	
39	ERT80056	SOCKET HEAD CAPSCREW M5X12	2	
40	ERT84149	COUNTERSUNK SCREW, M3 x 10mm LONG	2	

NOTE  
ITEMS 34, 35, 36, 37 ONLY  
USED ON ZF-DOG GEARBOX



3.2 ALL OVER U.O.S.	ALL UNSPECIFIED CHAMFERS TO BE 1x45°	DETAILED	CS
	ALL UNSPECIFIED RADII TO BE R1	DRAWN	CS
UNLESS OTHERWISE STATED	TOLERANCES	APPROVED	
	ANGULAR = +/- 0° 00' 0"	DATE	28/08/2007
DIMENSIONS = +/- 0.1MM = +/- 0.004"	SURFACE FINISH IN Um 3.2	MATERIAL	
CORE STRENGTH N/SQ.mm.	REMOVE ALL SHARP EDGES AND BURRS	SURFACE HARDNESS	MIN Rc
			MAX Rc
DO NOT SCALE		TITLE	
DRG. No. ERT92942		Issue	



Gearworks, Salem St., Etruria, Stoke On Trent, ST1 5PR  
Tel 01782 280136, Fax 01782 269913, Email contact@eliteracingtransmissions.com.

**GEARSTICK ASSEMBLY - (ZF - SYNCRO)**

CASE HARDEN ALL OVER  
TO CASE DEPTH /  
SHOT PEEN AFTER HEAT TREATMENT  
REM FINISH PRIOR TO FINAL GRINDING  
COAT WITH PROTECTIVE OIL AFTER REM FINISHING